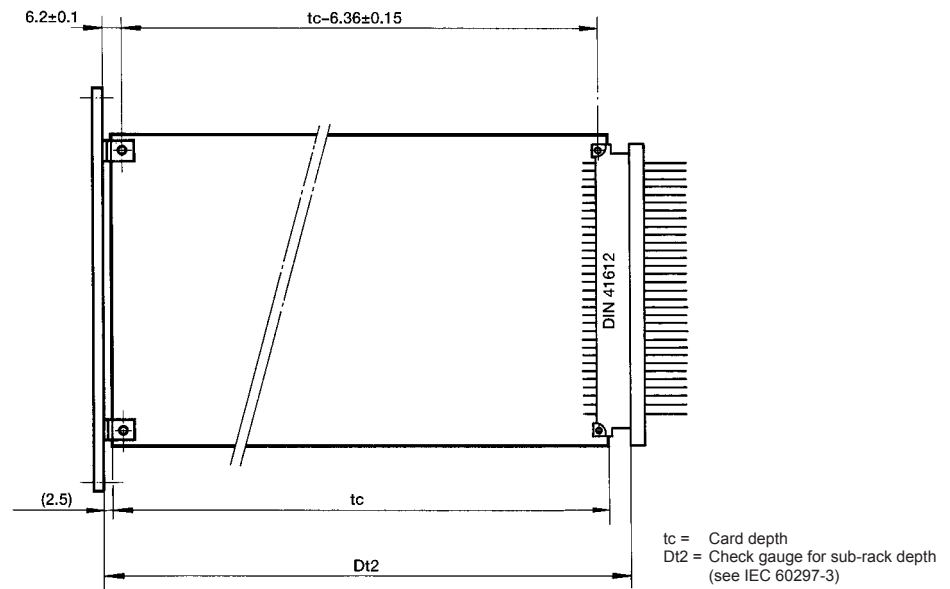


Appendix

Dimensions of plug-in printed board assemblies

With front panel and connector
to IEC 60297-3/-4:



in mm:

Type of connector	Check gauge	tc	tc	tc	tc	tc
		160 mm	220 mm	280 mm	340 mm	400 mm
BCDEMQRS	Dt2	169.93 ± 0.4	229.93 ± 0.4	289.93 ± 0.4	349.93 ± 0.4	409.93 ± 0.4
FGHUV	Dt2	171.93 ± 0.4	231.93 ± 0.4	291.93 ± 0.4	351.93 ± 0.4	

411.93 ± 0.4

in inch:

Type of connector	Check gauge	tc	tc	tc	tc	tc
		6.290	8.660	11.020	13.380	15.740
BCDEMQRS	Dt2	6.69 ± 0.01	9.05 ± 0.01	11.41 ± 0.01	13.77 ± 0.01	16.13 ± 0.01
FGHUV	Dt2	6.76 ± 0.01	9.13 ± 0.01	11.49 ± 0.01	13.85 ± 0.01	

Dimensions of printed circuit boards

General board sizes

All dimensions conform to IEC 60297-3.

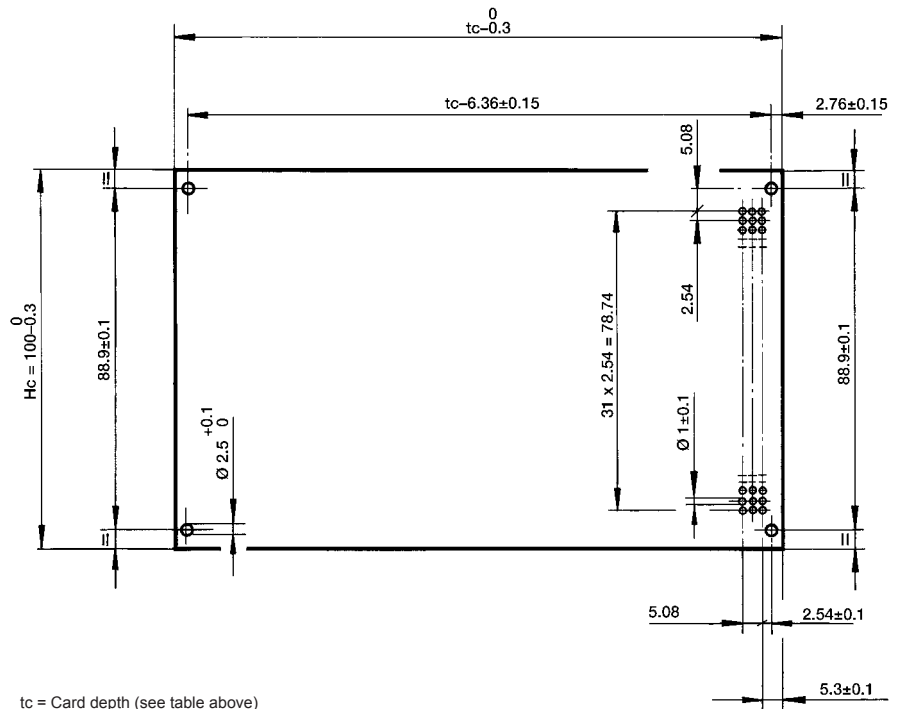
Nom. height	Card height Hc row 1		Card height Hc row 2		Card depth (tc)					
	mm	inch	mm	inch	100 mm	160 mm	220 mm	280 mm	340 mm	400 mm
					3.930	6.290	8.660	11.020	13.380	15.740
2U	55.55	2.18	67.31	2.65	x			x	x	x
3U	100.00	3.93	111.76	4.40	x	x	x	x	x	x
4U	144.45	5.68	156.20	6.15	x	x	x	x	x	x
5U	188.90	7.43	200.65	7.90	x			x		x
6U	233.35	9.18	245.10	9.65	x	x	x	x	x	x
7U	277.80	10.93	289.55	11.40	x	x	x	x	x	x
8U	322.25	12.68	334.00	13.15	x			x		
9U	366.70	14.43	378.45	14.90	x	x	x	x	x	x
10U	411.15	16.18	422.90	16.65	x	x	x	x	x	x
11U	455.60	17.93	467.35	18.40	x	x	x	x	x	x
12U	500.05	19.68	511.80	20.15	x	x	x	x	x	x

All combinations of the above dimensions are theoretically possible; however, preference should be given to those marked .

Line drawings

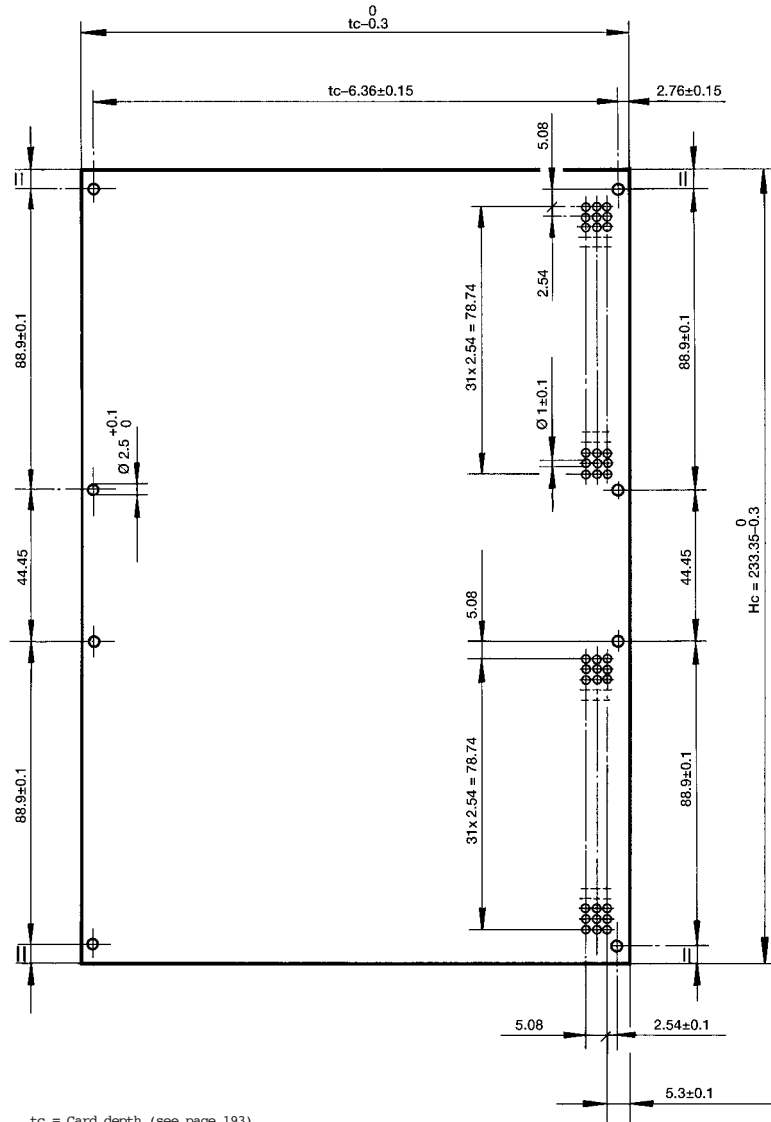
Line drawing for (Hc)

100.00 mm (for 3U), derived from the IEC 60297-4 standard for connectors:



Appendix

Line drawing for (Hc) 233.35 mm (for 6U),
 derived from the
 IEC 60297-4 standard for
 connectors:



tc = Card depth (see page 193)